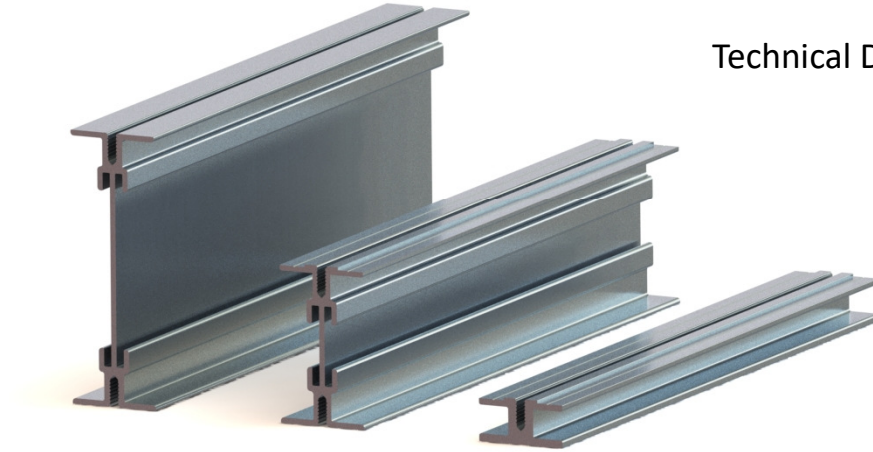


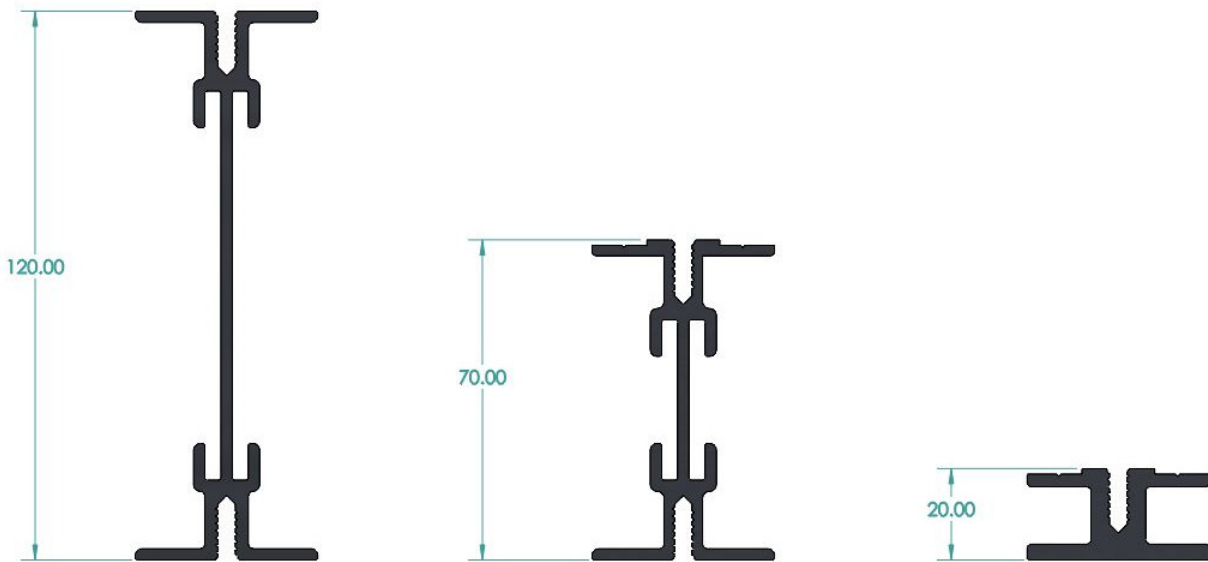
castle

COMPOSITES

Technical Data Sheet



Our system being of all aluminium construction is fire resistant , very competitive, and has several unique features, including the best non-slip surface on the market, with virtually no maintenance required.



Aluminium Decking by Castle Composites is a complete decking system, with one of the most advanced, high strength substructure systems available on the market. The base structure is available in 3 standard heights to cover all your requirements, and all beam options are the same width, and use the same unique fixing system, which dramatically cuts down on-site installation time.

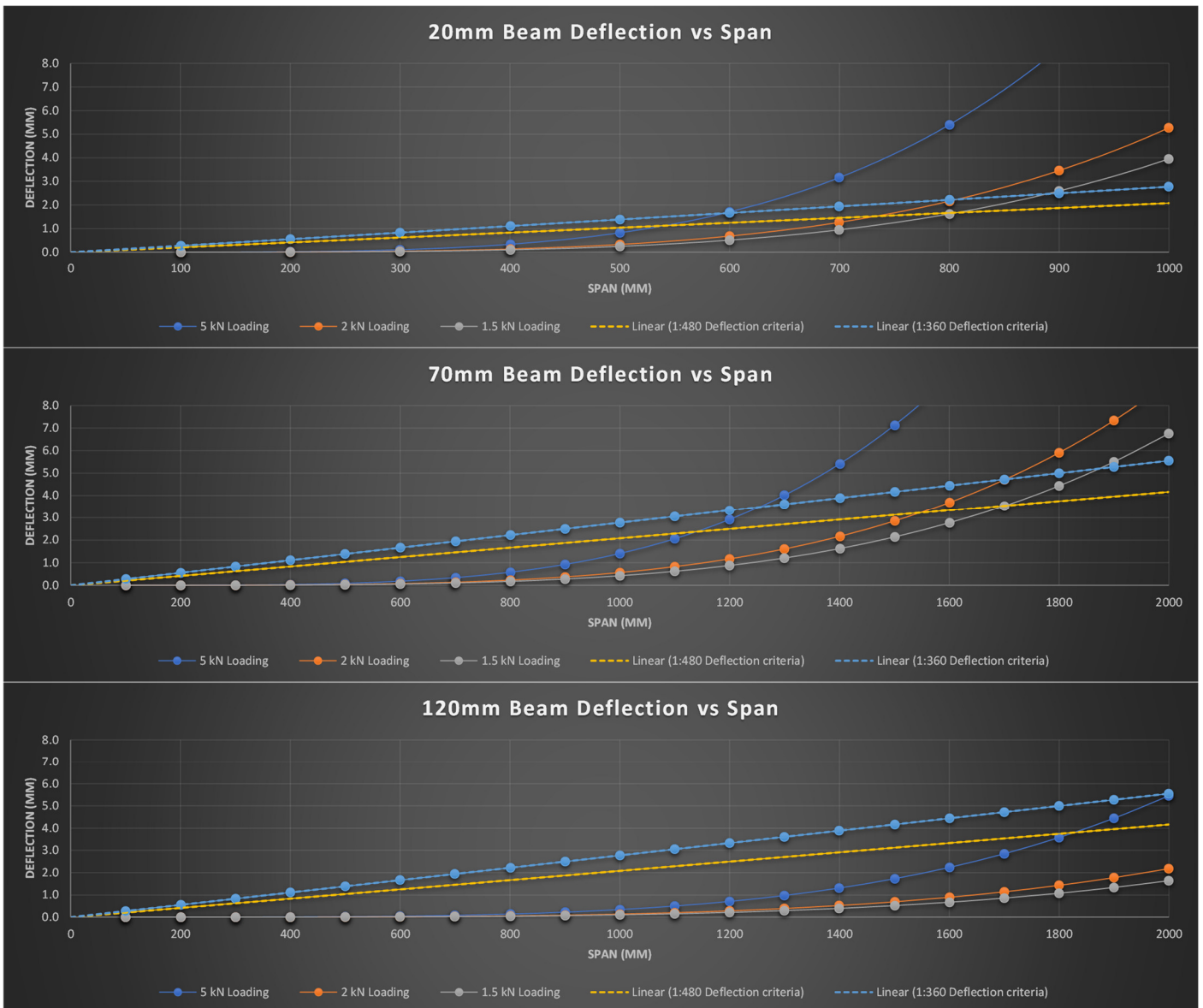
Call: 01555 870003

Email: sales@castlecomposites.co.uk

Technical Data

| | 20mm Beam | 70mm Beam | 120mm Beam |
|-------------|-------------------|-------------------|-------------------|
| Weight | 0.99 kg/m | 1.47 kg/m | 1.87 kg/m |
| Material | Aluminium 6063 T6 | Aluminium 6063 T6 | Aluminium 6063 T6 |
| Beam Height | 20 mm | 70 mm | 120 mm |
| Beam Width | 40 mm | 40 mm | 40 mm |

Loading deflection (kN/m²) - Assumed to act on 2 beams



Call: 01555 870003

Email: sales@castlecomposites.co.uk