

TECHNICAL DATA SHEET

RAPTOR S

RAPTOR pedestal S 015-035 mm (3/5" - 1 3/8")

BASIC INFORMATION

Product name	RAPTOR pedestal S 015-035 mm (3/5" - 1 3/8")
Trade name	RAPTOR S
Product group	Adjustable pedestals - RAPTOR series
Application	Terrace with decking
Code	10903



FEATURES

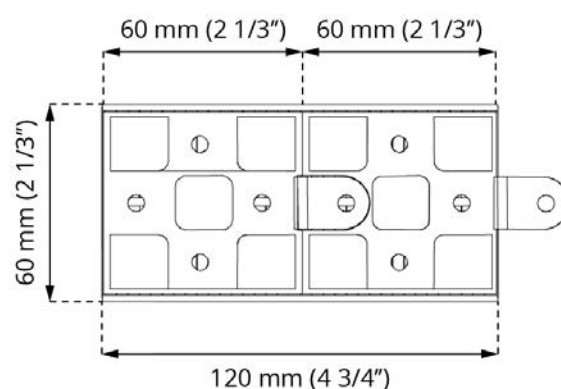
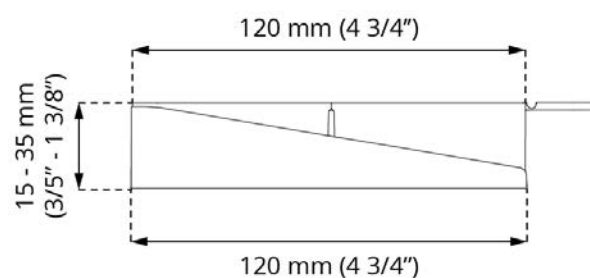
- Step-height regulation every 1mm (1/32") from 15 to 35 mm (from 3/5" to 1 3/8").
- Consists two elements - base L and wedge M.
- Resistant to heavy loads.
- Suitable for joists.
- Slope correction up to 7%.

DESCRIPTION

The RAPTOR pedestal series is designed for lifting and leveling decks on joists. They have step-by-step adjustment every 1 mm (1/32"). Thanks to their construction, they can be used for decks mounted on both wooden and aluminum or composite joists. With their wide base, they provide stable support, even on surfaces with a slope. It is possible to expand the functionality of the pedestals with additional accessories.

PARAMETERS

Minimum height	15 mm (3/5")
Maximum height	35 mm (1 3/8")
Height adjustment type	Step height adjustment (1 mm) (1/32")
Top dimensions	120 x 55,5 mm (66,6 cm ²) 4 3/4" x 2 1/6" (10.32 in ²)
Base dimensions	120 x 60 mm (72 cm ²) 4 3/4" x 2 1/3" (11.16 in ²)
Weight	0,066 kg 0.145 lbs
Load resistance	up to 1000 kg up to 2200 lbs
Operating temperature	-20°C; +65°C -4°F; +149°F
Color	Black
Material	Certified plastic PP



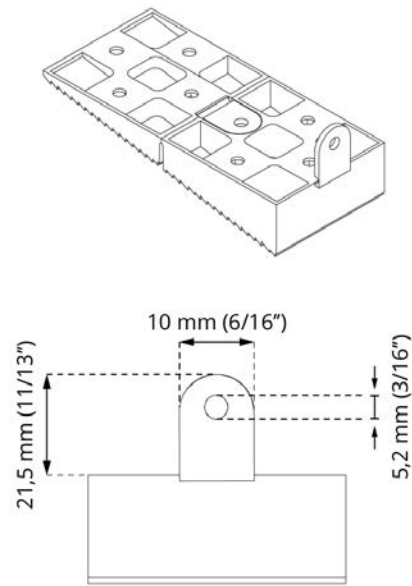
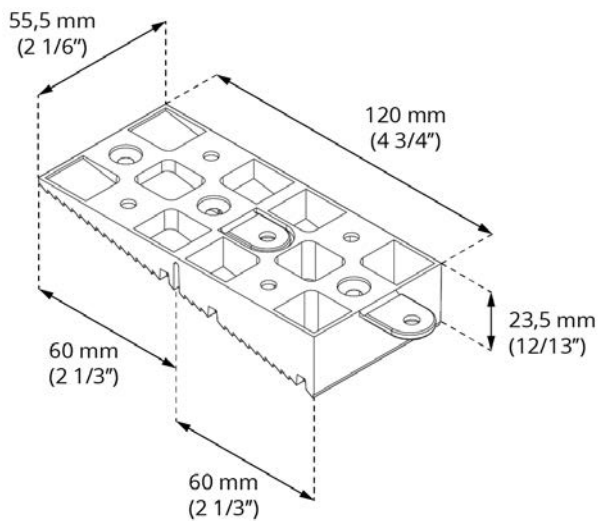
APPLICATION

- Terrace with decking.

COMPONENTS

- The RAPTOR S pedestal is composed of 2 pieces:
PS + KS

PEDESTAL TOP ELEMENT



USAGE

Pedestals consist two elements (three from a height of 125 mm (5") because a height coupler P30 is added). All system elements have installation holes and drainage holes to prevent water from freezing inside the pedestal. Additionally, the installation holes allow optional attachment to the substrate. The pedestals can also be glued with mounting adhesive in the case of sensitive surfaces (such as waterproofing).

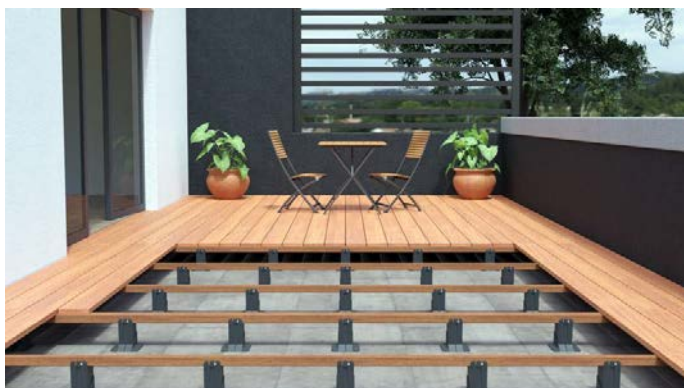
DATA LOGISTICS

Product	Type	Size	Quantity	Weight brutto
RAPTOR S	Carton box	60 x 50 x 20 cm (23 2/3" x 19 2/3" x 7 7/8")	100 pcs.	7,4 kg (16.31 lbs)
	Pallet	120 x 100 x 220 cm (47 1/4" x 39 1/2" x 86")	4000 pcs.	316 kg (696.66 lbs)

ADDITIONAL ACCESSORIES

Height coupler 30 mm (1 1/5") **P30**, Base slope corrector **DDR KN**, Protection pad 2 mm (1/16") **PO**, Acoustic pad 10 mm (6/16") **PA**, SBR rubber pad SBR 170/3 mm (6 2/3" x 1/8") **SBR170/3**.

EXAMPLE OF SERIES RAPTOR APPLICATION



TECHNICAL DATA SHEET

RAPTOR M

RAPTOR pedestal M 035-065 mm (1 3/8" - 2 1/2")

BASIC INFORMATION

Product name	RAPTOR pedestal M 035-065 mm (1 3/8" - 2 1/2")
Trade name	RAPTOR M
Product group	Adjustable pedestals - RAPTOR series
Application	Terrace with decking
Code	10904



FEATURES

- Step-height regulation every 1 mm (1/32") from 35 to 65 mm (from 1 3/8" to 2 1/2").
- Consists two elements - base L and wedge M.
- Resistant to heavy loads.
- Suitable for joists.
- Slope correction up to 7%.

DESCRIPTION

The RAPTOR pedestal series is designed for lifting and leveling decks on joists. They have step-by-step adjustment every 1 mm (1/32"). Thanks to their construction, they can be used for decks mounted on both wooden and aluminum or composite joists. With their wide base, they provide stable support, even on surfaces with a slope. It is possible to expand the functionality of the pedestals with additional accessories.

PARAMETERS

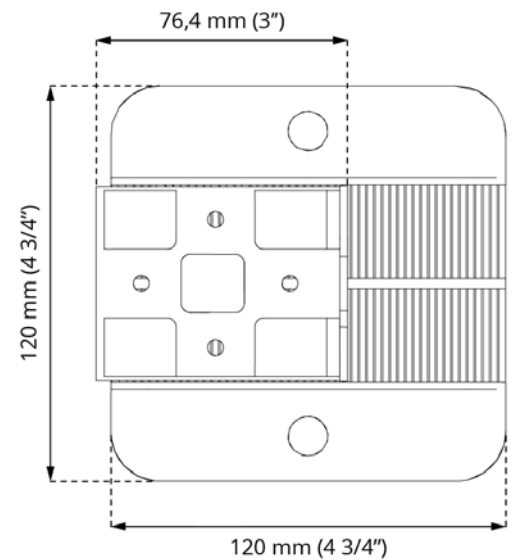
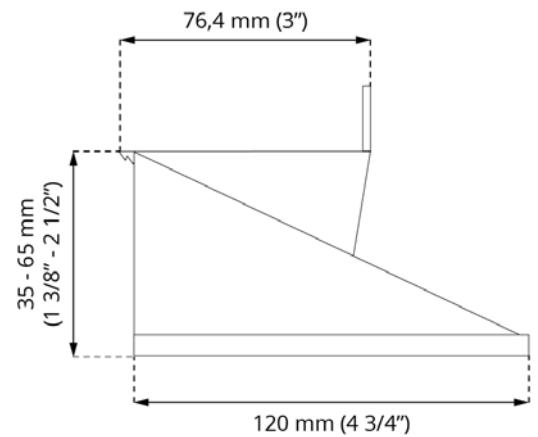
Minimum height	35 mm (1 3/8")
Maximum height	65 mm (2 1/2")
Height adjustment type	Step height adjustment (1 mm) (1/32")
Top dimensions	74 x 55,5 mm (41,1 cm ²) 2 10/11" x 2 1/6" (6.37 in ²)
Base dimensions	120 x 120 mm (144 cm ²) 4 3/4" x 4 3/4" (22.32 in ²)
Weight	0,114 kg 0.251 lbs
Load resistance	up to 1000 kg up to 2200 lbs
Operating temperature	-20°C; +65°C -4°F; +149°F
Color	Black
Material	Certified plastic PP

APPLICATION

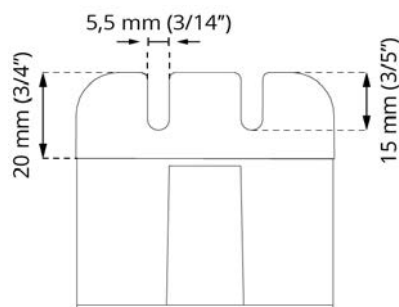
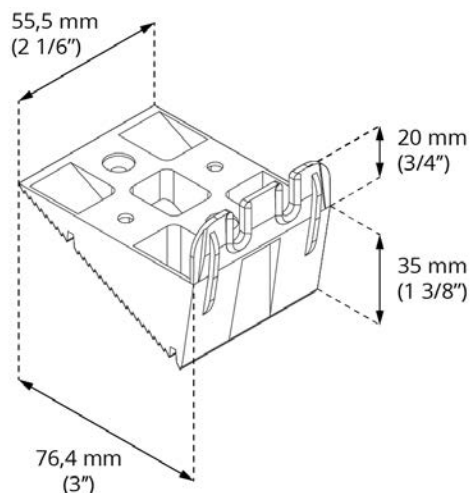
- Terrace with decking.

COMPONENTS

- The RAPTOR M pedestal is composed of 2 pieces:
PL + KM



PEDESTAL TOP ELEMENT



USAGE

Pedestals consist two elements (three from a height of 125 mm (5") because a height coupler P30 is added). All system elements have installation holes and drainage holes to prevent water from freezing inside the pedestal. Additionally, the installation holes allow optional attachment to the substrate. The pedestals can also be glued with mounting adhesive in the case of sensitive surfaces (such as waterproofing).

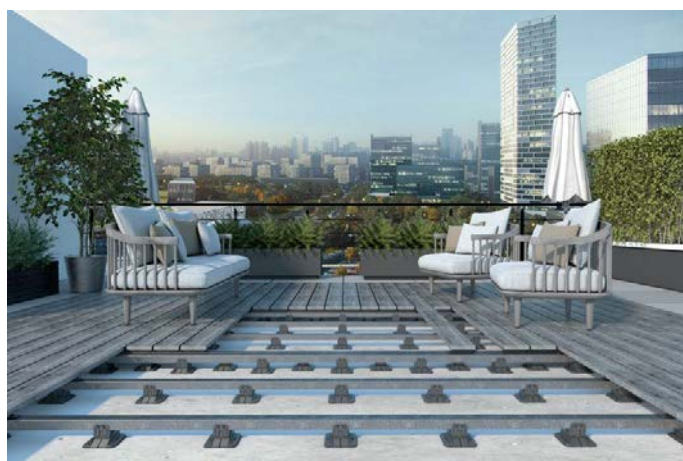
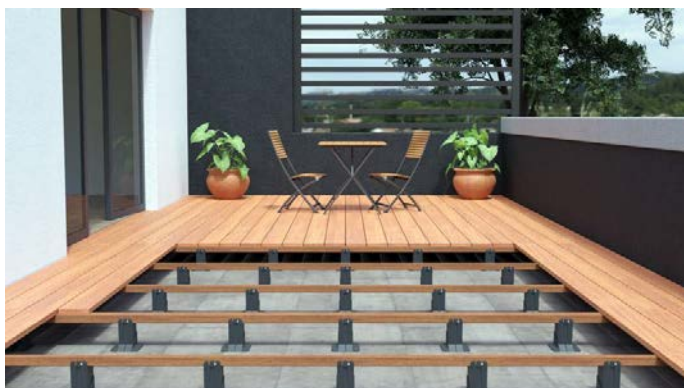
DATA LOGISTICS

Product	Type	Size	Quantity	Weight brutto
RAPTOR PL	Carton box	60 x 50 x 20 cm (23 2/3" x 19 2/3" x 7 7/8")	100 pcs.	9,3 kg (20.5 lbs)
	Pallet	120 x 100 x 220 cm (47 1/4" x 39 1/2" x 86")	3200 pcs.	392 kg (864.21 lbs)
RAPTOR KM	Carton box	30 x 50 x 20 cm (11 4/5" x 19 2/3" x 7 7/8")	100 pcs.	3,35 kg (7.38 lbs)
	Pallet	120 x 100 x 220 cm (47 1/4" x 39 1/2" x 86")	8000 pcs.	288 kg (634.93 lbs)

ADDITIONAL ACCESSORIES

Height coupler 30 mm (1 1/5") **P30**, Base slope corrector **DDR KN**, Protection pad 2 mm (1/16") **PO**, Acoustic pad 10 mm (6/16") **PA**, SBR rubber pad SBR 170/3 mm (6 2/3" x 1/8") **SBR170/3**.

EXAMPLE OF SERIES RAPTOR APPLICATION



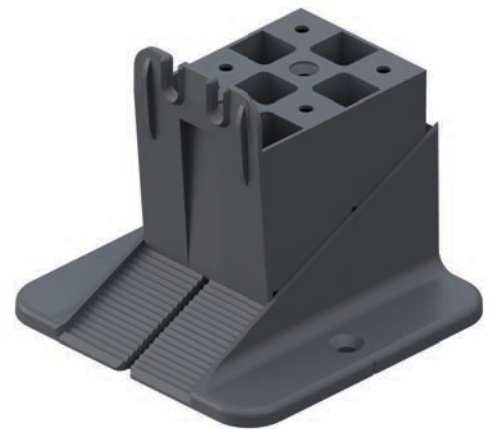
TECHNICAL DATA SHEET

RAPTOR L

RAPTOR pedestal L 065-095 mm (2 1/2" - 3 2/3")

BASIC INFORMATION

Product name	RAPTOR pedestal L 065-095 mm (2 1/2" - 3 2/3")
Trade name	RAPTOR L
Product group	Adjustable pedestals - RAPTOR series
Application	Terrace with decking
Code	10905



FEATURES

- Step-height regulation every 1 mm (1/32") from 65 to 95 mm (from 2 1/2" to 3 2/3").
- Consists two elements - base L and wedge L.
- Resistant to heavy loads.
- Suitable for joists.
- Slope correction up to 7%.

DESCRIPTION

The RAPTOR pedestal series is designed for lifting and leveling decks on joists. They have step-by-step adjustment every 1 mm (1/32"). Thanks to their construction, they can be used for decks mounted on both wooden and aluminum or composite joists. With their wide base, they provide stable support, even on surfaces with a slope. It is possible to expand the functionality of the pedestals with additional accessories.

PARAMETERS

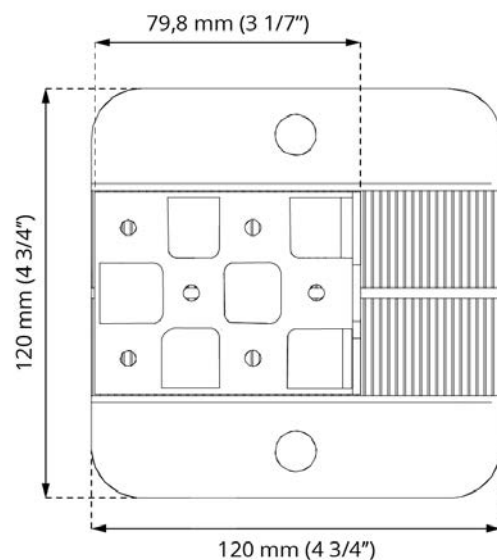
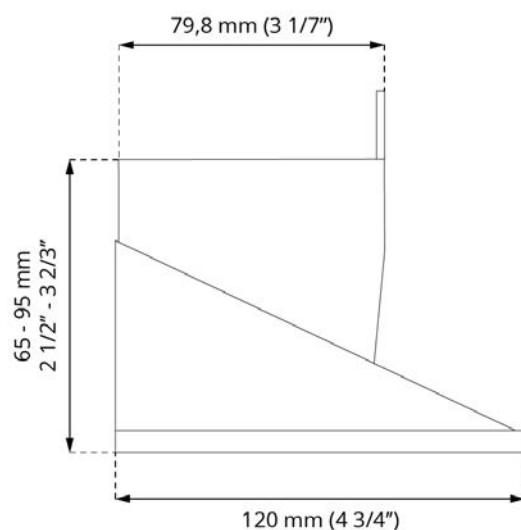
Minimum height	65 mm (2 1/2")
Maximum height	95 mm (3 2/3")
Height adjustment type	Step height adjustment (1 mm) (1/32")
Top dimensions	79 x 55,5 mm (43,8 cm ²) 3 1/9" x 2 1/6" (6.8 in ²)
Base dimensions	120 x 120 mm (144 cm ²) 4 3/4" x 4 3/4" (22.32 in ²)
Weight	0,152 kg 0.335 lbs
Load resistance	up to 1000 kg up to 2200 lbs
Operating temperature	-20°C; +65°C -4°F; +149°F
Color	Black
Material	Certified plastic PP

APPLICATION

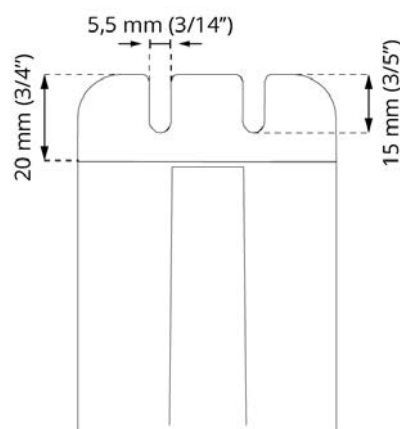
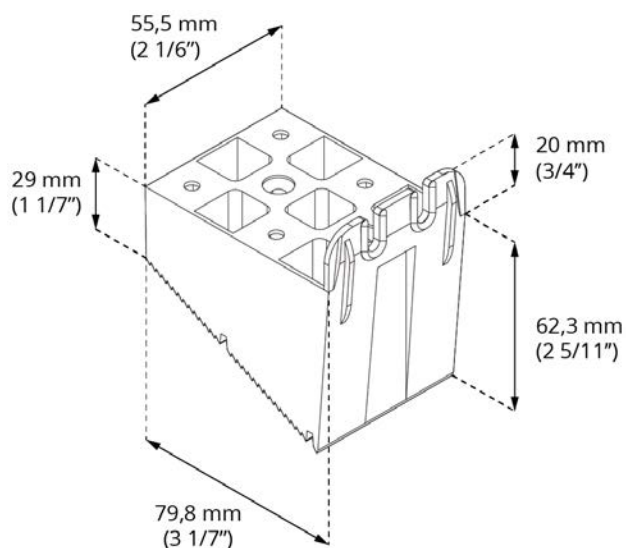
- Terrace with decking.

COMPONENTS

- The RAPTOR L pedestal is composed of 2 pieces:
PL + KL



PEDESTAL TOP ELEMENT



USAGE

Pedestals consist two elements (three from a height of 125 mm (5") because a height coupler P30 is added). All system elements have installation holes and drainage holes to prevent water from freezing inside the pedestal. Additionally, the installation holes allow optional attachment to the substrate. The pedestals can also be glued with mounting adhesive in the case of sensitive surfaces (such as waterproofing).

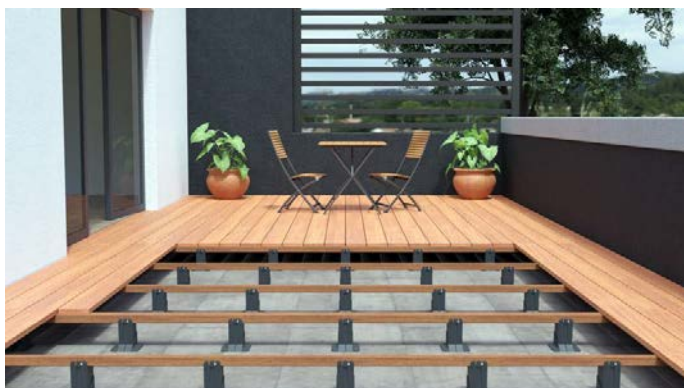
DATA LOGISTICS

Product	Type	Size	Quantity	Weight brutto
RAPTOR PL	Carton box	60 x 50 x 20 cm (23 2/3" x 19 2/3" x 7 7/8")	100 pcs.	9,3 kg (20.5 lbs)
	Pallet	120 x 100 x 220 cm (47 1/4" x 39 1/2" x 86")	3200 pcs.	392 kg (864.21 lbs)
RAPTOR KL	Carton box	60 x 50 x 20 cm (23 2/3" x 19 2/3" x 7 7/8")	100 pcs.	7,5 kg (16.53 lbs)
	Pallet	120 x 100 x 220 cm (47 1/4" x 39 1/2" x 86")	4000 pcs.	320 kg (705.48 lbs)

ADDITIONAL ACCESSORIES

Height coupler 30 mm (1 1/5") **P30**, Base slope corrector **DDR KN**, Protection pad 2 mm (1/16") **PO**, Acoustic pad 10 mm (6/16") **PA**, SBR rubber pad SBR 170/3 mm (6 2/3" x 1/8") **SBR170/3**.

EXAMPLE OF SERIES RAPTOR APPLICATION



TECHNICAL DATA SHEET

RAPTOR XL

RAPTOR pedestal XL 095-125 mm (3 2/3" - 5")

BASIC INFORMATION

Product name	RAPTOR pedestal XL 095-125 mm (3 2/3" - 5")
Trade name	RAPTOR XL
Product group	Adjustable pedestals - RAPTOR series
Application	Terrace with decking
Code	10906



FEATURES

- Step-height regulation every 1 mm (1/32") from 95 to 125 mm (from 3 2/3" to 5").
- Consists two elements: base L and wedge XL.
- Resistant to heavy loads.
- Suitable for joists.
- Slope correction up to 7%.

DESCRIPTION

The RAPTOR pedestal series is designed for lifting and leveling decks on joists. They have step-by-step adjustment every 1 mm (1/32"). Thanks to their construction, they can be used for decks mounted on both wooden and aluminum or composite joists. With their wide base, they provide stable support, even on surfaces with a slope. It is possible to expand the functionality of the pedestals with additional accessories.

PARAMETERS

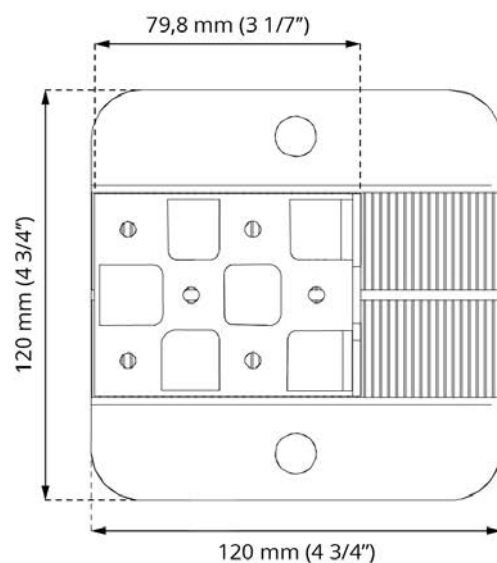
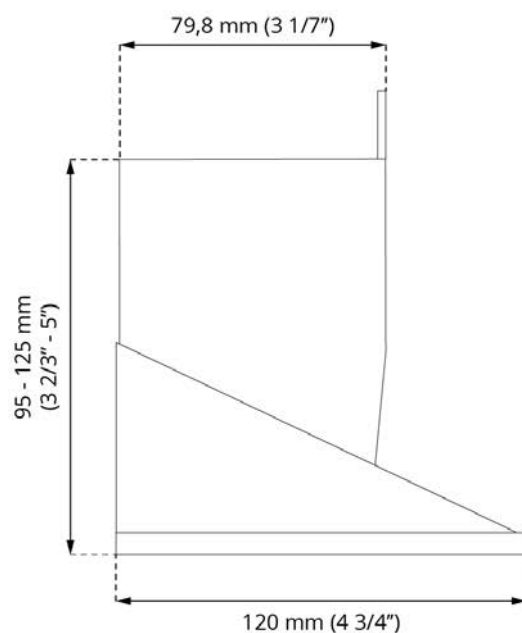
Minimum height	95 mm (3 2/3")
Maximum height	125 mm (5")
Height adjustment type	Step height adjustment (1 mm) (1/32")
Top dimensions	79 x 55,5 mm (43,8 cm ²) 3 1/9" x 2 1/6" (6.8 in ²)
Base dimensions	120 x 120 mm (144 cm ²) 4 3/4" x 4 3/4" (22.32 in ²)
Weight	0,181 kg 0.399 lbs
Load resistance	up to 1000 kg up to 2200 lbs
Operating temperature	-20°C; +65°C -4°F; +149°F
Color	Black
Material	Certified plastic PP

APPLICATION

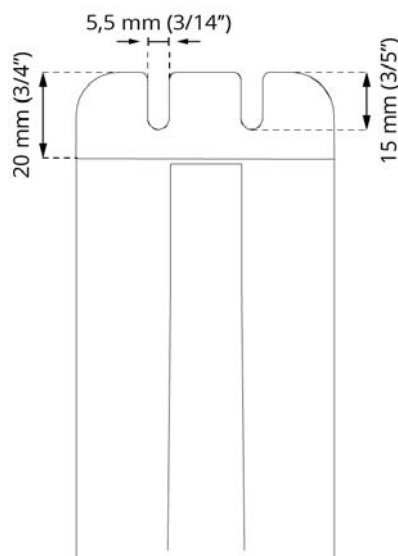
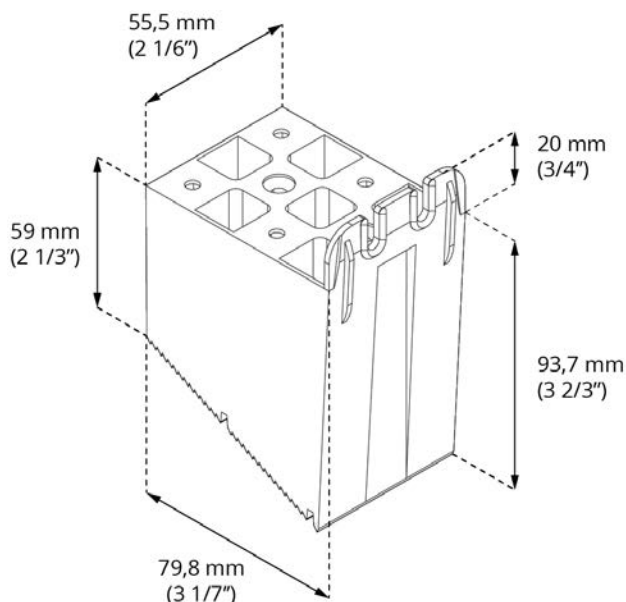
- Terrace with decking.

COMPONENTS

- The RAPTOR XL pedestal is composed of 2 pieces:
PL + KXL



PEDESTAL TOP ELEMENT



USAGE

Pedestals consist two elements (three from a height of 125 mm (5")) because a height coupler P30 is added). All system elements have installation holes and drainage holes to prevent water from freezing inside the pedestal. Additionally, the installation holes allow optional attachment to the substrate. The pedestals can also be glued with mounting adhesive in the case of sensitive surfaces (such as waterproofing).

DATA LOGISTICS

Product	Type	Size	Quantity	Weight brutto
RAPTOR PL	Carton box	60 x 50 x 20 cm (23 2/3" x 19 2/3" x 7 7/8")	100 pcs.	9,3 kg (20.5 lbs)
	Pallet	120 x 100 x 220 cm (47 1/4" x 39 1/2" x 86")	3200 pcs.	392 kg (864.21 lbs)
RAPTOR KXL	Carton box	60 x 50 x 20 cm (23 2/3" x 19 2/3" x 7 7/8")	100 pcs.	10,4 kg (22.93 lbs)
	Pallet	120 x 100 x 220 cm (47 1/4" x 39 1/2" x 86")	4000 pcs.	436 kg (961.21 lbs)

ADDITIONAL ACCESSORIES

Height coupler 30 mm (1 1/5") **P30**, Base slope corrector **DDR KN**, Protection pad 2 mm (1/16") **PO**, Acoustic pad 10 mm (6/16") **PA**, SBR rubber pad SBR 170/3 mm (6 2/3" x 1/8") **SBR170/3**.

EXAMPLE OF SERIES RAPTOR APPLICATION



TECHNICAL DATA SHEET

RAPTOR XL1

RAPTOR pedestal XL1 125-155 mm (5" - 6")

BASIC INFORMATION

Product name	RAPTOR pedestal XL1 125-155 mm (5" - 6")
Trade name	RAPTOR XL1
Product group	Adjustable pedestals - RAPTOR series
Application	Terrace with decking
Code	10906 + 10907



FEATURES

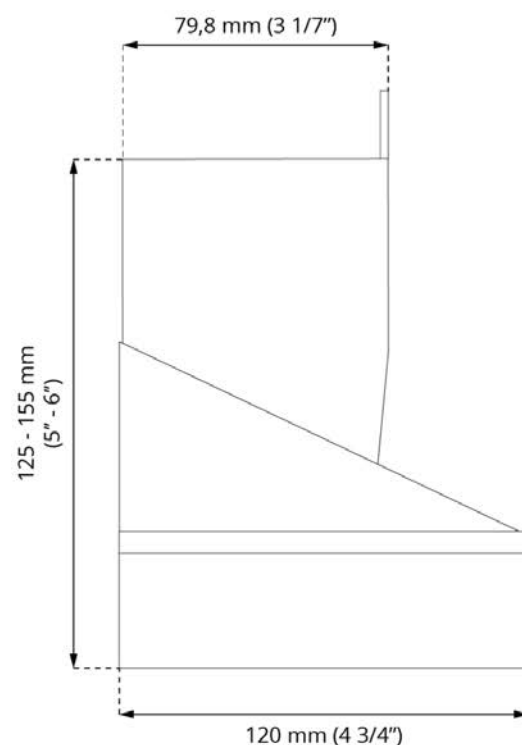
- Step-height regulation every 1 mm (1/32") from 125 to 155 mm (from 5" to 6").
- Consists three elements: BASE L, WEDGE XL, and P30.
- Resistant to heavy loads.
- Suitable for joists.
- Slope correction up to 7%.

DESCRIPTION

The RAPTOR pedestal series is designed for lifting and leveling decks on joists. They have step-by-step adjustment every 1 mm (1/32"). Thanks to their construction, they can be used for decks mounted on both wooden and aluminum or composite joists. With their wide base, they provide stable support, even on surfaces with a slope. It is possible to expand the functionality of the pedestals with additional accessories.

PARAMETERS

Minimum height	125 mm (5")
Maximum height	155 mm (6")
Height adjustment type	Step height adjustment (1 mm) (1/32")
Top dimensions	79 x 55,5 mm (43,8 cm ²) 3 1/9" x 2 1/6" (6.8 in ²)
Base dimensions	120 x 120 mm (144 cm ²) 4 3/4" x 4 3/4" (22.32 in ²)
Weight	0,258 kg 0.569 lbs
Load resistance	up to 1000 kg up to 2200 lbs
Operating temperature	-20°C; +65°C -4°F; +149°F
Color	Black
Material	Certified plastic PP

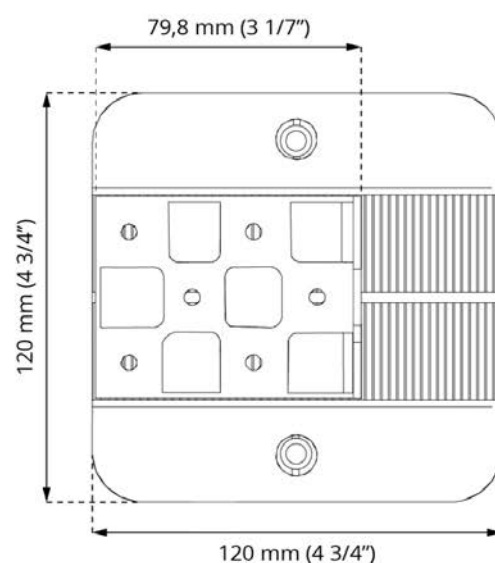


APPLICATION

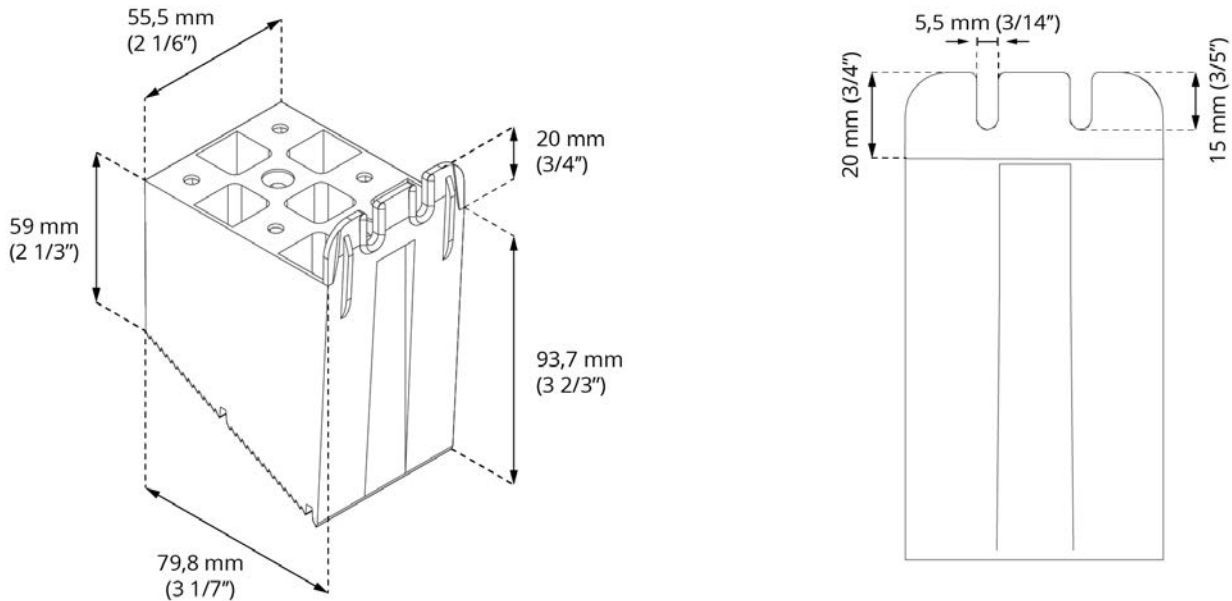
- Terrace with decking.

COMPONENTS

- The RAPTOR XL1 pedestal is composed of:
P30 + PL + KXL



PEDESTAL TOP ELEMENT



USAGE

Pedestals consist two elements (three from a height of 125 mm (5") because a height coupler P30 is added). All system elements have installation holes and drainage holes to prevent water from freezing inside the pedestal. Additionally, the installation holes allow optional attachment to the substrate. The pedestals can also be glued with mounting adhesive in the case of sensitive surfaces (such as waterproofing).

DATA LOGISTICS

Product	Type	Size	Quantity	Weight brutto
RAPTOR PL	Carton box	60 x 50 x 20 cm (23 2/3" x 19 2/3" x 7 7/8")	100 pcs.	9,3 kg (20.5 lbs)
	Pallet	120 x 100 x 220 cm (47 1/4" x 39 1/2" x 86")	3200 pcs.	392 kg (864.21 lbs)
RAPTOR KXL	Carton box	60 x 50 x 20 cm (23 2/3" x 19 2/3" x 7 7/8")	100 pcs.	10,4 kg (22.93 lbs)
	Pallet	120 x 100 x 220 cm (47 1/4" x 39 1/2" x 86")	4000 pcs.	436 kg (961.21 lbs)
RAPTOR P30	Carton box	30 x 25 x 20 cm (11 4/5" x 9 5/6" x 7 7/8")	100 pcs.	8,5 kg (18.74 lbs)
	Pallet	120 x 100 x 220 cm (47 1/4" x 39 1/2" x 86")	4000 pcs.	360 kg (793.66 lbs)

ADDITIONAL ACCESSORIES

Height coupler 30 mm (1 1/5") **P30**, Base slope corrector **DDR KN**, Protection pad 2 mm (1/16") **PO**, Acoustic pad 10 mm (6/16") **PA**, SBR rubber pad SBR 170/3 mm (6 2/3" x 1/8") **SBR170/3**.

EXAMPLE OF SERIES RAPTOR APPLICATION



TECHNICAL DATA SHEET

RAPTOR XL2

RAPTOR pedestal XL2 155-185 mm (6" - 7 1/4")

BASIC INFORMATION

Product name	RAPTOR pedestal XL2 155-185 mm (6" - 7 1/4")
Trade name	RAPTOR XL2
Product group	Adjustable pedestals - RAPTOR series
Application	Terrace with decking
Code	10906 + 2x 10907



FEATURES

- Step-height regulation every 1 mm (1/32") from 155 to 185 mm (from 6" to 7 1/4").
- Consists four elements: BASE L, WEDGE XL, and two P30.
- Resistant to heavy loads.
- Suitable for joists.
- Slope correction up to 7%.

DESCRIPTION

The RAPTOR pedestal series is designed for lifting and leveling decks on joists. They have step-by-step adjustment every 1 mm (1/32"). Thanks to their construction, they can be used for decks mounted on both wooden and aluminum or composite joists. With their wide base, they provide stable support, even on surfaces with a slope. It is possible to expand the functionality of the pedestals with additional accessories.

PARAMETERS

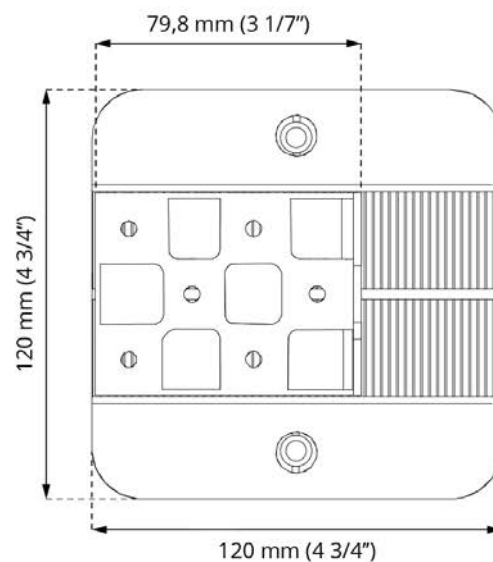
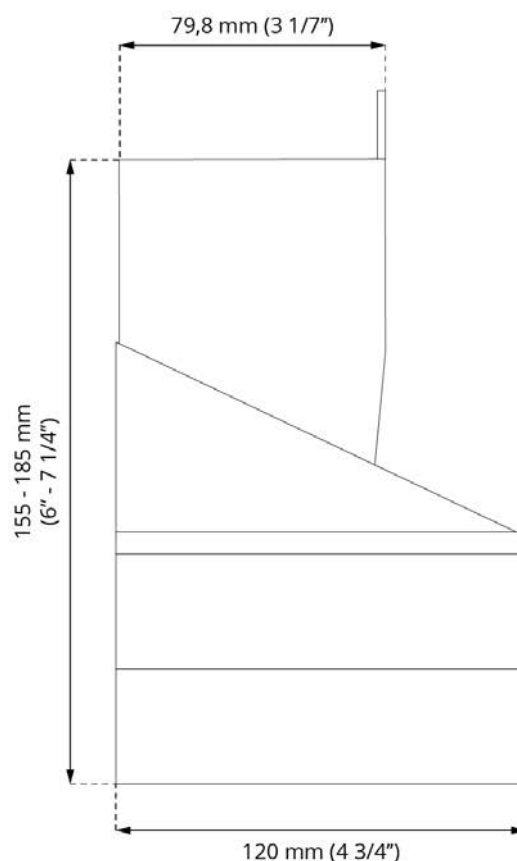
Minimum height	155 mm (6")
Maximum height	185 mm (7 1/4")
Height adjustment type	Step height adjustment (1 mm) (1/32")
Top dimensions	79 x 55,5 mm (43,8 cm ²) 3 1/9" x 2 1/6" (6.8 in ²)
Base dimensions	120 x 120 mm (144 cm ²) 4 3/4" x 4 3/4" (22.32 in ²)
Weight	0,335 kg 0.738 lbs
Load resistance	up to 1000 kg up to 2200 lbs
Operating temperature	-20°C; +65°C -4°F; +149°F
Color	Black
Material	Certified plastic PP

APPLICATION

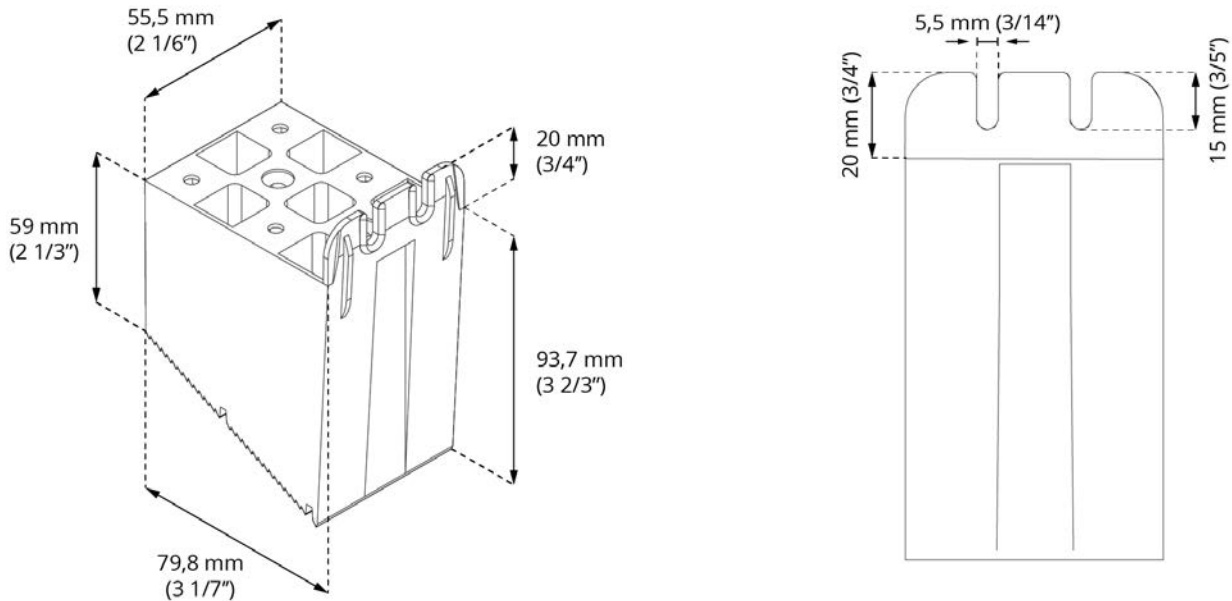
- Terrace with decking.

COMPONENTS

- The RAPTOR XL2 pedestal is composed of:
2× P30 + PL + KXL



PEDESTAL TOP ELEMENT



USAGE

Pedestals consist two elements (three from a height of 125 mm (5") because a height coupler P30 is added). All system elements have installation holes and drainage holes to prevent water from freezing inside the pedestal. Additionally, the installation holes allow optional attachment to the substrate. The pedestals can also be glued with mounting adhesive in the case of sensitive surfaces (such as waterproofing).

DATA LOGISTICS

Product	Type	Size	Quantity	Weight brutto
RAPTOR PL	Carton box	60 x 50 x 20 cm (23 2/3" x 19 2/3" x 7 7/8")	100 pcs.	9,3 kg (20.5 lbs)
	Pallet	120 x 100 x 220 cm (47 1/4" x 39 1/2" x 86")	3200 pcs.	392 kg (864.21 lbs)
RAPTOR KXL	Carton box	60 x 50 x 20 cm (23 2/3" x 19 2/3" x 7 7/8")	100 pcs.	10,4 kg (22.93 lbs)
	Pallet	120 x 100 x 220 cm (47 1/4" x 39 1/2" x 86")	4000 pcs.	436 kg (961.21 lbs)
RAPTOR P30	Carton box	30 x 25 x 20 cm (11 4/5" x 9 5/6" x 7 7/8")	100 pcs.	8,5 kg (18.74 lbs)
	Pallet	120 x 100 x 220 cm (47 1/4" x 39 1/2" x 86")	4000 pcs.	360 kg (793.66 lbs)

ADDITIONAL ACCESSORIES

Height coupler 30 mm (1 1/5") **P30**, Base slope corrector **DDR KN**, Protection pad 2 mm (1/16") **PO**, Acoustic pad 10 mm (6/16") **PA**, SBR rubber pad SBR 170/3 mm (6 2/3" x 1/8") **SBR170/3**.

EXAMPLE OF SERIES RAPTOR APPLICATION



TECHNICAL DATA SHEET

RAPTOR XL3

RAPTOR pedestal XL3 185-215 mm (7 1/4" - 8 1/2")

BASIC INFORMATION

Product name	RAPTOR pedestal XL3 185-215 mm (7 1/4" - 8 1/2")
Trade name	RAPTOR XL3
Product group	Adjustable pedestals - RAPTOR series
Application	Terrace with decking
Code	10906 + 3× 10907



FEATURES

- Step- height regulation every 1 mm (1/32") from 185 to 215 mm (form 7 1/4" to 8 1/2").
- Consists four elements: BASE L, WEDGE XL, and three P30.
- Resistant to heavy loads.
- Suitable for joists.
- Slope correction up to 7%.

DESCRIPTION

The RAPTOR pedestal series is designed for lifting and leveling decks on joists. They have step-by-step adjustment every 1 mm (1/32"). Thanks to their construction, they can be used for decks mounted on both wooden and aluminum or composite joists. With their wide base, they provide stable support, even on surfaces with a slope. It is possible to expand the functionality of the pedestals with additional accessories.

PARAMETERS

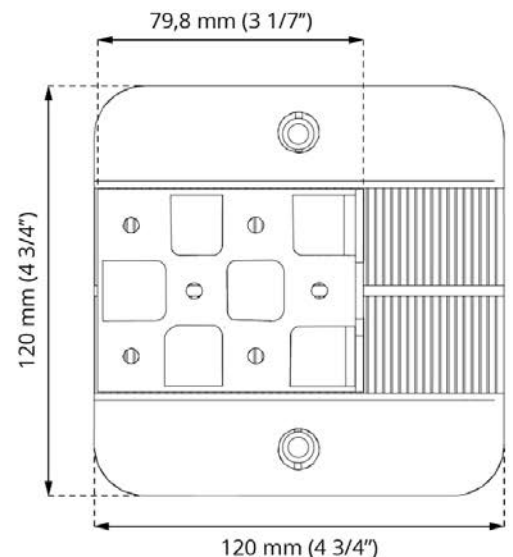
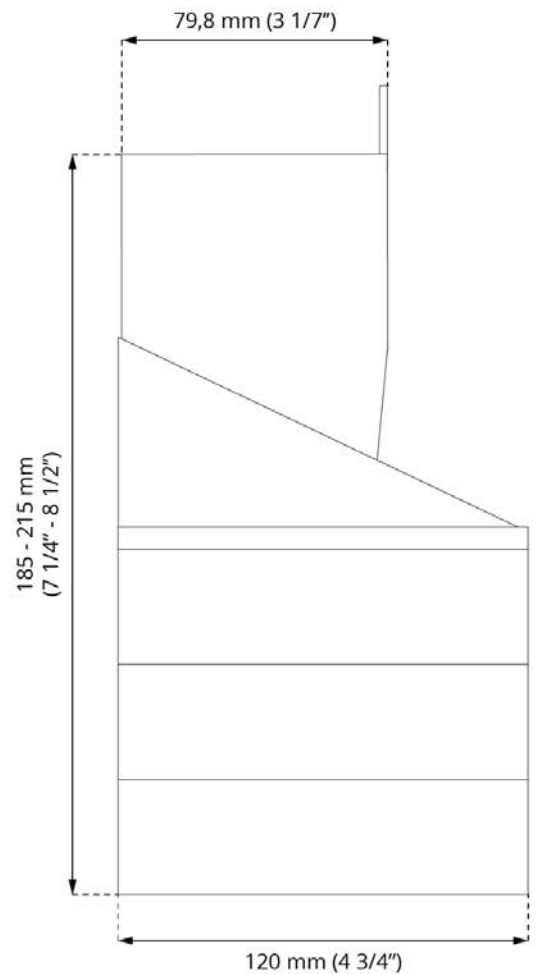
Minimum height	185 mm (7 1/4")
Maximum height	215 mm (8 1/2")
Height adjustment type	Step height adjustment (1 mm) (1/32")
Top dimensions	79 x 55,5 mm (43,8 cm ²) 3 1/9" x 2 1/6" (6.8 in ²)
Base dimensions	120 x 120 mm (144 cm ²) 4 3/4" x 4 3/4" (22.32 in ²)
Weight	0,412 kg 0.908 lbs
Load resistance	up to 1000 kg up to 2200 lbs
Operating temperature	-20°C; +65°C -4°F; +149°F
Color	Black
Material	Certified plastic PP

APPLICATION

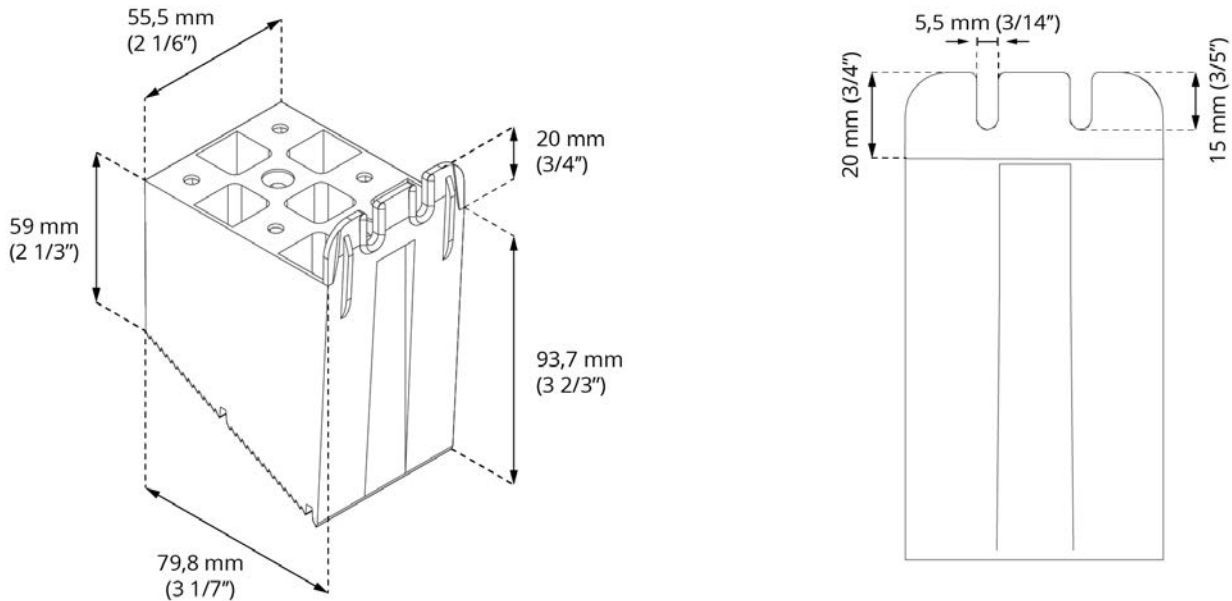
- Terrace with decking.

COMPONENTS

- The RAPTOR XL3 pedestal is composed of:
3× P30 + PL + KXL



PEDESTAL TOP ELEMENT



USAGE

Pedestals consist two elements (three from a height of 125 mm (5") because a height coupler P30 is added). All system elements have installation holes and drainage holes to prevent water from freezing inside the pedestal. Additionally, the installation holes allow optional attachment to the substrate. The pedestals can also be glued with mounting adhesive in the case of sensitive surfaces (such as waterproofing).

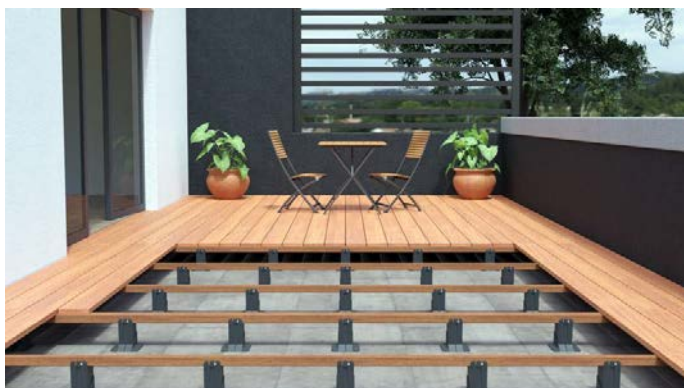
DATA LOGISTICS

Product	Type	Size	Quantity	Weight brutto
RAPTOR PL	Carton box	60 x 50 x 20 cm (23 2/3" x 19 2/3" x 7 7/8")	100 pcs.	9,3 kg (20.5 lbs)
	Pallet	120 x 100 x 220 cm (47 1/4" x 39 1/2" x 86")	3200 pcs.	392 kg (864.21 lbs)
RAPTOR KXL	Carton box	60 x 50 x 20 cm (23 2/3" x 19 2/3" x 7 7/8")	100 pcs.	10,4 kg (22.93 lbs)
	Pallet	120 x 100 x 220 cm (47 1/4" x 39 1/2" x 86")	4000 pcs.	436 kg (961.21 lbs)
RAPTOR P30	Carton box	30 x 25 x 20 cm (11 4/5" x 9 5/6" x 7 7/8")	100 pcs.	8,5 kg (18.74 lbs)
	Pallet	120 x 100 x 220 cm (47 1/4" x 39 1/2" x 86")	4000 pcs.	360 kg (793.66 lbs)

ADDITIONAL ACCESSORIES

Height coupler 30 mm (1 1/5") **P30**, Base slope corrector **DDR KN**, Protection pad 2 mm (1/16") **PO**, Acoustic pad 10 mm (6/16") **PA**, SBR rubber pad SBR 170/3 mm (6 2/3" x 1/8") **SBR170/3**.

EXAMPLE OF SERIES RAPTOR APPLICATION



TECHNICAL DATA SHEET

RAPTOR XL4

RAPTOR pedestal XL4 215-245 mm (8 1/2" - 9 2/3")

BASIC INFORMATION

Product name	RAPTOR pedestal XL4 215-245 mm (8 1/2" - 9 2/3")
Trade name	RAPTOR XL4
Product group	Adjustable pedestals - RAPTOR series
Application	Terrace with decking
Code	10906 + 4× 10907



FEATURES

- Step-height regulation every 1 mm (1/32") from 215 to 245 mm (from 8 1/2" to 9 2/3").
- Consists five elements: BASE L, WEDGE XL, and four P30.
- Resistant to heavy loads.
- Suitable for joists.
- Slope correction up to 7%.

DESCRIPTION

The RAPTOR pedestal series is designed for lifting and leveling decks on joists. They have step-by-step adjustment every 1 mm (1/32"). Thanks to their construction, they can be used for decks mounted on both wooden and aluminum or composite joists. With their wide base, they provide stable support, even on surfaces with a slope. It is possible to expand the functionality of the pedestals with additional accessories.

PARAMETERS

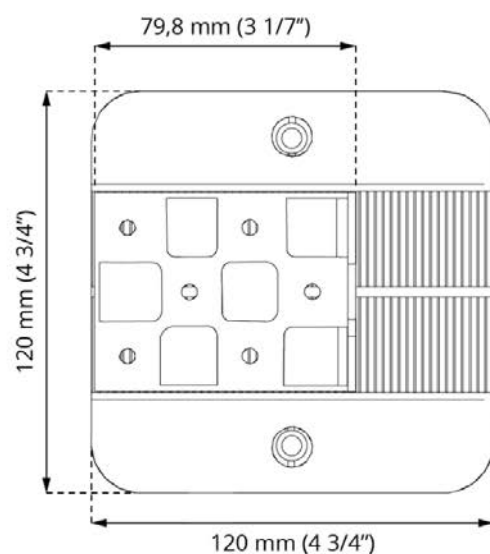
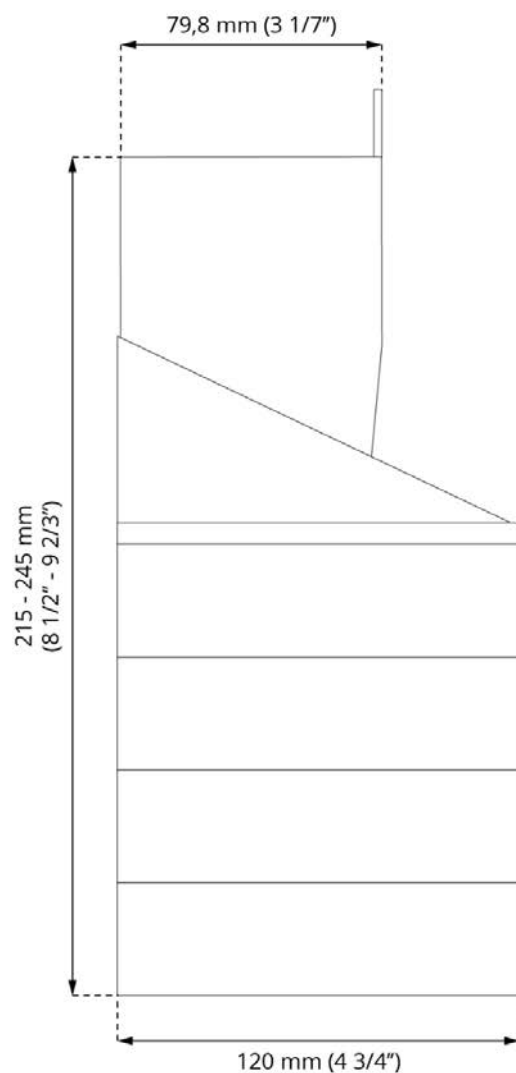
Minimum height	215 mm (8 1/2")
Maximum height	245 mm (9 2/3")
Height adjustment type	Step height adjustment (1 mm) (1/32")
Top dimensions	79 x 55,5 mm (43,8 cm ²) 3 1/9" x 2 1/6" (6.8 in ²)
Base dimensions	120 x 120 mm (144 cm ²) 4 3/4" x 4 3/4" (22.32 in ²)
Weight	0,489 kg 1.078 lbs
Load resistance	up to 1000 kg up to 2200 lbs
Operating temperature	-20°C; +65°C -4°F; +149°F
Color	Black
Material	Certified plastic PP

APPLICATION

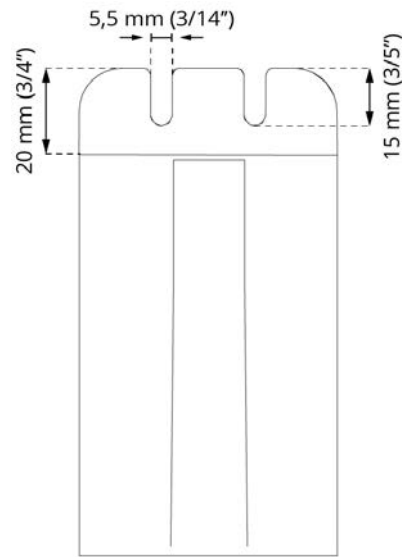
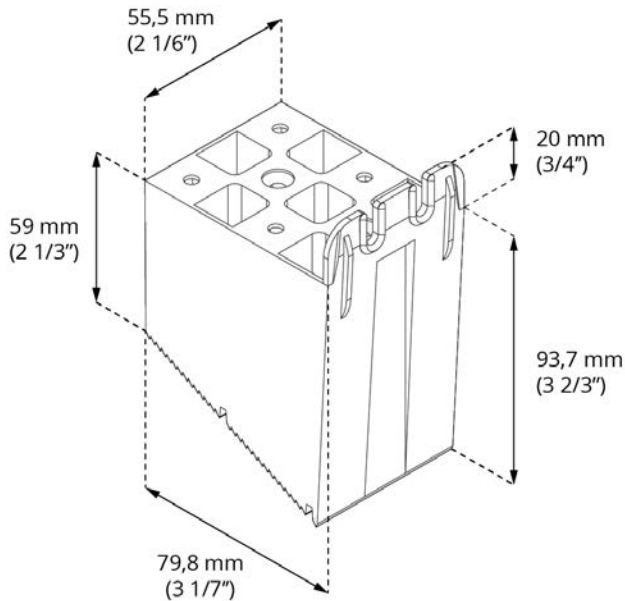
- Terrace with decking.

COMPONENTS

- The RAPTOR XL4 pedestal is composed of:
4× P30 + PL + KXL



PEDESTAL TOP ELEMENT



USAGE

Pedestals consist two elements (three from a height of 125 mm (5") because a height coupler P30 is added). All system elements have installation holes and drainage holes to prevent water from freezing inside the pedestal. Additionally, the installation holes allow optional attachment to the substrate. The pedestals can also be glued with mounting adhesive in the case of sensitive surfaces (such as waterproofing).

DATA LOGISTICS

Product	Type	Size	Quantity	Weight brutto
RAPTOR PL	Carton box	60 x 50 x 20 cm (23 2/3" x 19 2/3" x 7 7/8")	100 pcs.	9,3 kg (20.5 lbs)
	Pallet	120 x 100 x 220 cm (47 1/4" x 39 1/2" x 86")	3200 pcs.	392 kg (864.21 lbs)
RAPTOR KXL	Carton box	60 x 50 x 20 cm (23 2/3" x 19 2/3" x 7 7/8")	100 pcs.	10,4 kg (22.93 lbs)
	Pallet	120 x 100 x 220 cm (47 1/4" x 39 1/2" x 86")	4000 pcs.	436 kg (961.21 lbs)
RAPTOR P30	Carton box	30 x 25 x 20 cm (11 4/5" x 9 5/6" x 7 7/8")	100 pcs.	8,5 kg (18.74 lbs)
	Pallet	120 x 100 x 220 cm (47 1/4" x 39 1/2" x 86")	4000 pcs.	360 kg (793.66 lbs)

ADDITIONAL ACCESSORIES

Height coupler 30 mm (1 1/5") **P30**, Base slope corrector **DDR KN**, Protection pad 2 mm (1/16") **PO**, Acoustic pad 10 mm (6/16") **PA**, SBR rubber pad SBR 170/3 mm (6 2/3" x 1/8") **SBR170/3**.

EXAMPLE OF SERIES RAPTOR APPLICATION

